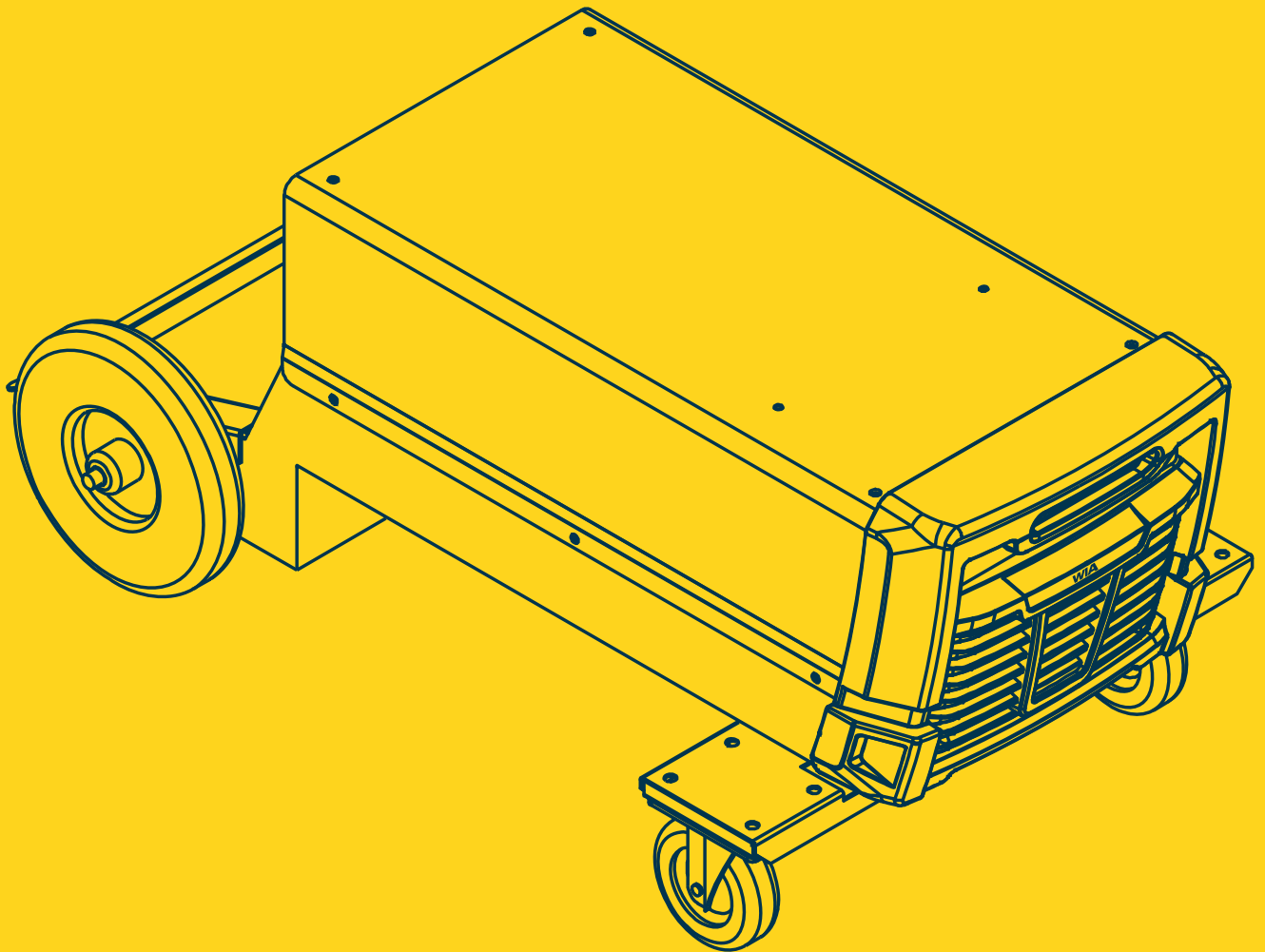

TROLLEY WITH DRAWER

P/N: AM365

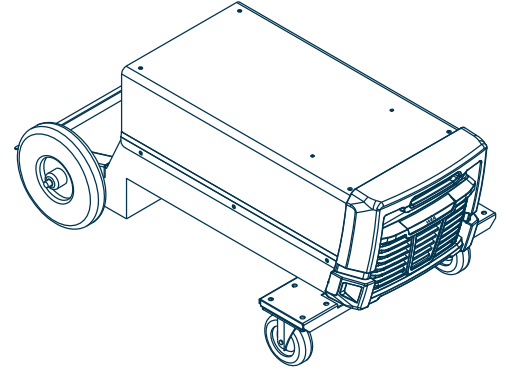
**Storage & Convenience.
Compatible with
Weldmatic 250,
350 & 500.**



TROLLEY WITH DRAWER

P/N: AM365

Storage & Convenience.
Compatible with Weldmatic
250, 350 & 500.



CUSTOMISED SUPPORT RAIL

Designed to secure the Weldmatic 250, 350 and 500 to the trolley for maximum stability.

HEAVY DUTY WHEELS

Industrial quality wheels and castors deliver smooth operation and durable performance to move your Weldmatic 250, 350 and 500 where it's needed.

GAS BOTTLE TRAY

For easy storage of a gas cylinder, making it easier to move around the workshop. Suits up to G size cylinders. Tray is low to ground for easy lift on and off. Cylinder secured by chain.

POWDER COATED EXTERIOR PANELS

Powder coated panels for long-lasting performance to resist harsh workshop environment.

EASY SLIDING STORAGE DRAWER

The deep drawer is perfect for storing your welding gloves, while the top partitioned tray allows for easy storage and organisation for tips and nozzles.

SHIPPING INFORMATION

Weight: 20.5 kg

Dimensions: 94cm long, 36cm wide & 46cm high.

BEST USED WITH

Product	Part Number
Weldmatic 250	CP143-1
Weldmatic 350	CP144-1
Weldmatic 500	CP145-1